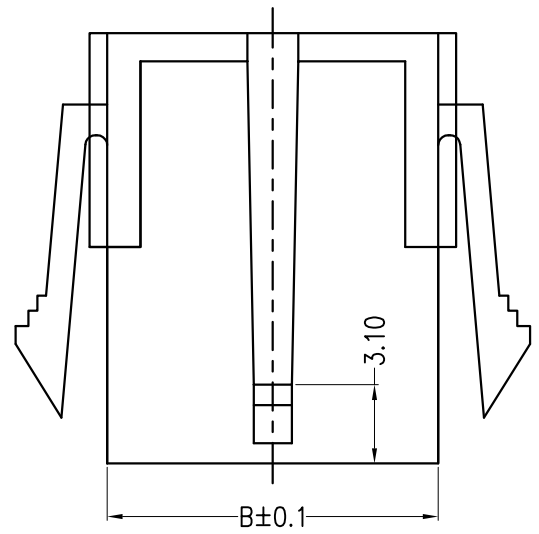
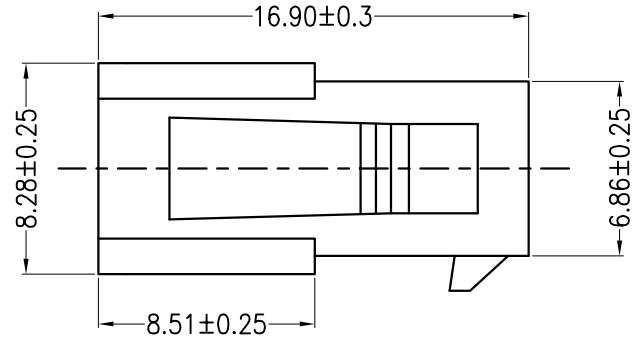
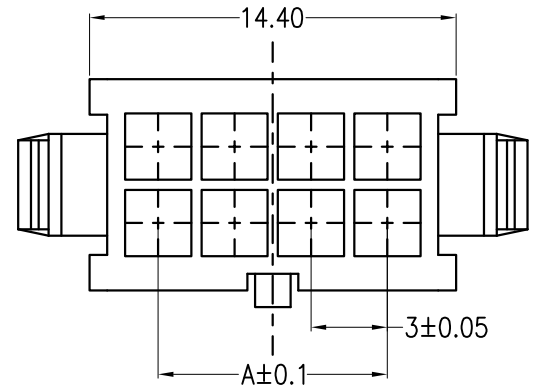


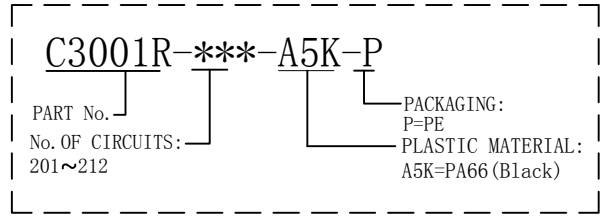
REV	DESCRIPTION	DESIGN	DATE
A0	Release	蒋建银	2018.01.15



主要技术参数 Main Specifications

线数 (Poles): 02 to 24
 接触电阻 (Contact resistance): $\leq 20m\Omega$
 绝缘电阻 (Insulation resistance): $\geq 1000M\Omega$
 额定电压 (Rated voltage): 250V AC DC
 额定电流 (Rated current): 5.0A AC DC
 耐电压 (Withstand Voltage): 1000V AC/minute
 温度范围 (Temperature Range): $-25^{\circ}C \sim +85^{\circ}C$

ORDER INFORMATION:



Circuits	Dimensions (mm)	
	A	B
02		3.86
04	3.0	6.85
06	6.0	9.85
08	9.0	12.85
10	12.0	15.85
12	15.0	18.85
14	18.0	21.85
16	21.0	24.85
18	24.0	27.85
20	27.0	30.85
22	30.0	33.85
24	33.0	36.85

ITEM	COMPONENT	Q'TY	MATERIAL	FINISH
A	PEDESTAL	1 PCS	PA66	COLOR:BLACK
JKUN 温州健坤接插件有限公司 WENZHOU JKUN CONNECTOR CO., LTD.				
X.±0.5	X.±5'	USE: CUSTOMER		TITLE: - 3.00mmPITCH Housing
.X±0.3	.X±2'	APPD: 邵敬和		PART NO.: C3001R-**-A5K-P
.XX±0.25	.XX±1'	CHKD: 田峰		DWG NO.: JKUN/GCCP-0607
--	--	DR: 蒋建银		SCALE: 1 : 1
UNITS: mm				SHEET: 1 / 1