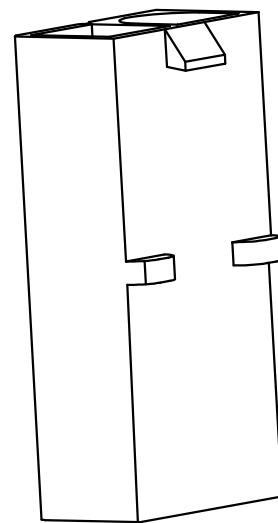
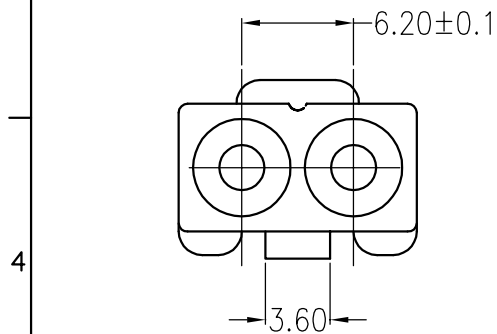
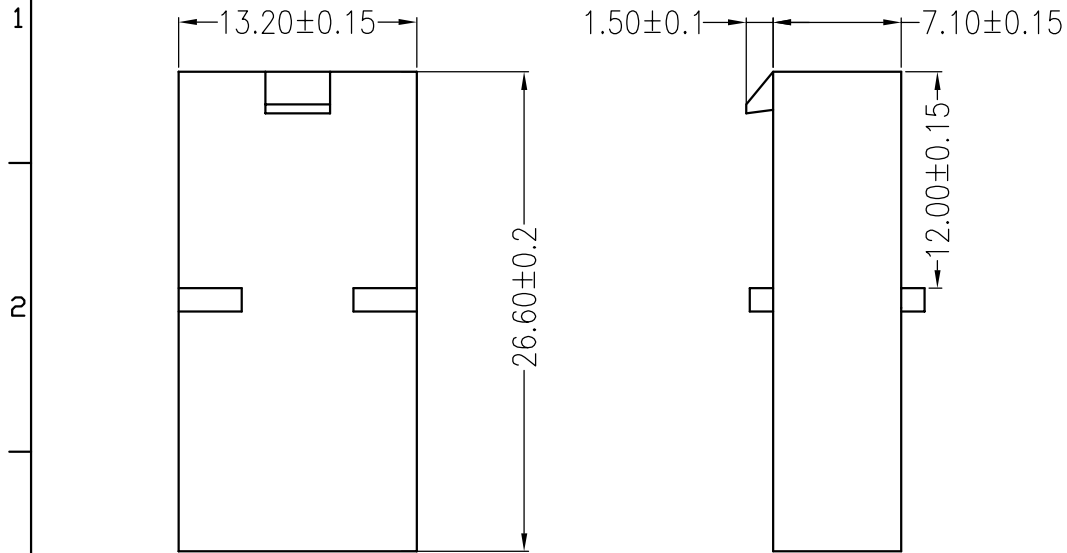


| REV | ECN No. | DESCRIPTION | DESIGN | DATE |
|-----|---------|-------------|--------|------------|
| A0 | | NEW RELEASE | 蒋建银 | 2019.01.17 |
| | | | | |



主要技术参数 Main Specifications

线数 (Poles): 02
 额定电阻 (Contact resistance): $\leq 10m\Omega$
 绝缘电阻 (Insulation resistance): $\geq 1000M\Omega$
 额定电压 (Rated voltage): 300 V AC DC
 额定电流 (Rated current): 15A AC DC
 耐电压 (Withstand Voltage): 1800V AC/minute
 温度范围 (Temperature Range): $-25^{\circ}C \sim +85^{\circ}C$

ORDER INFORMATION:

| | |
|------------------------|---|
| C6202R-02-A0T-P | |
| PART No. _____ | PACKAGING: P=PE |
| No. OF CIRCUITS: _____ | PLASTIC MATERIAL: A0T=PA66 (Transparent) |
| 02 | |

| ITEM | COMPONENT | Q'TY | MATERIAL | FINISH |
|--|-----------|----------|-----------------|---------------------|
| C | | | | |
| B | | | | |
| A | HOUSING | 1 PCS | PA66 | COLOR:(Transparent) |
| JKUN 温州健坤接插件有限公司 WENZHOU JKUN CONNECTOR CO., LTD. | | | | |
| TITLE: C6202R | | | | 6.2mm PITCH HOUSING |
| X.±0.5 | X.±5' | USE: | PART NO.: | |
| .X±0.3 | .X±2' | CUSTOMER | C6202P-02-A0T-P | |
| .XX±0.25 | .XX±1' | APPD: | DWG NO.: | |
| -- | -- | 邵敬和 | JKUN-GCCP-0616 | |
| ⊕ | ◁ | CHKD: | SCALE | SHEET |
| UNITS: | DR: | 田峰 | 1 : 1 | 1 / 1 |
| mm | 蒋建银 | | | |