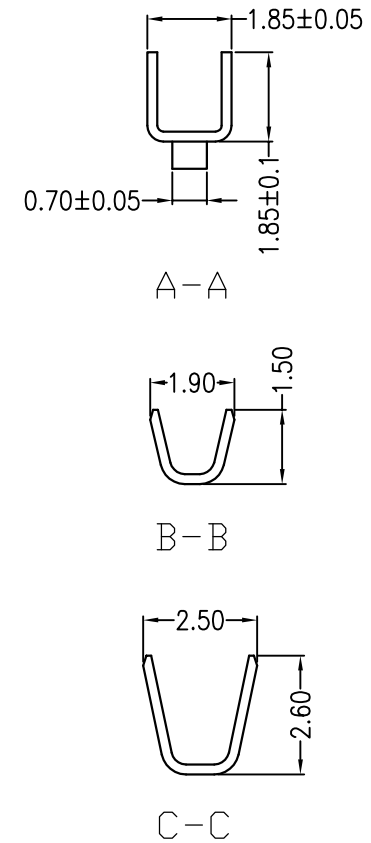
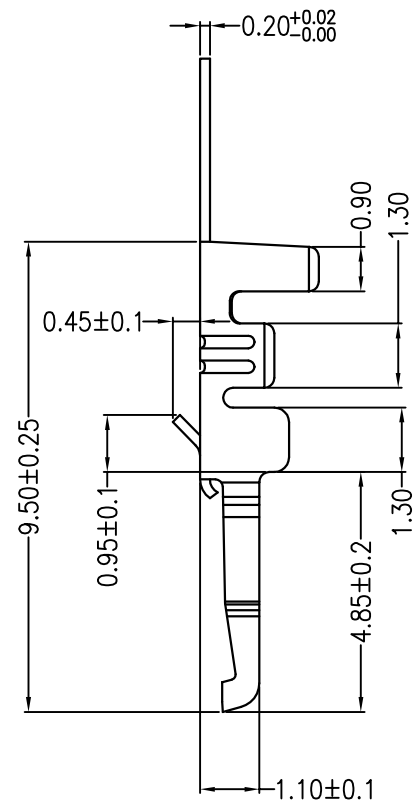
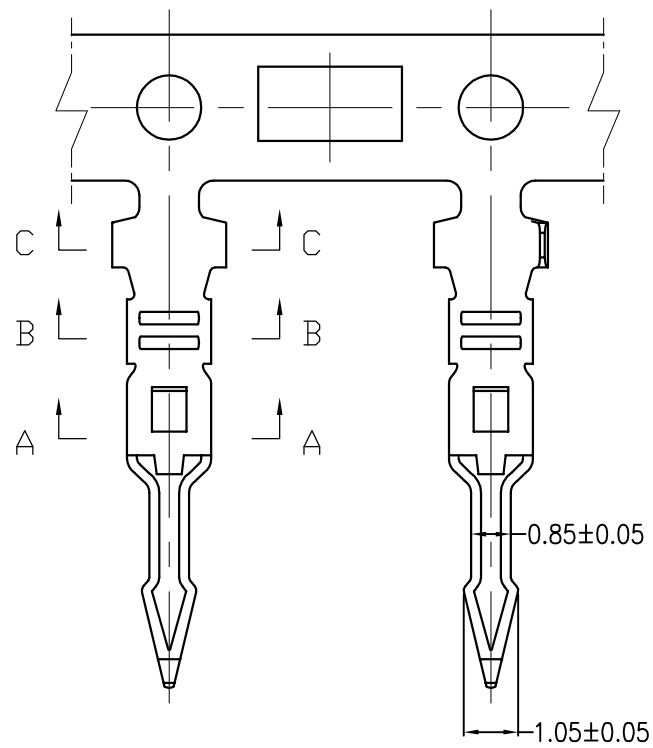


A B C D E F

REV	DESCRIPTION	DESIGN	DATE
A0	Release	吴丹平	2015.07.01



Ordering Information & Specification:

Part No	Wire Range	Insulation O.D.	Material	Finish	Qty/Reel
B2501T-PA	AWG #22~#28	1.70mm(max)	Phosphor bronze	Sn-plated	10,000 pcs

JKUN 温州健坤接插件有限公司 WENZHOU JKUN CONNECTOR CO., LTD.			TITLE: B2501端子	
X.±0.5	X.±5'	USE: CUSTOMER	PART NO.: B2501T-PA	
.X±0.3	.X±2'		DWG NO.: JKUN/GCDZ-0020	
.XX±0.25	.XX±1'	APPD: 邵敬和	CHKD: 田峰	
--	--	DR: 吴丹平	SCALE: 1 : 1	SHEET: 1 / 1
UNITS: mm				

A B C D E F

1
2
3
4
5

1
2
3
4