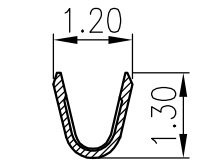
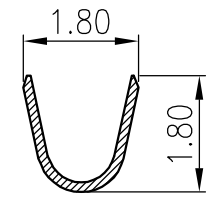
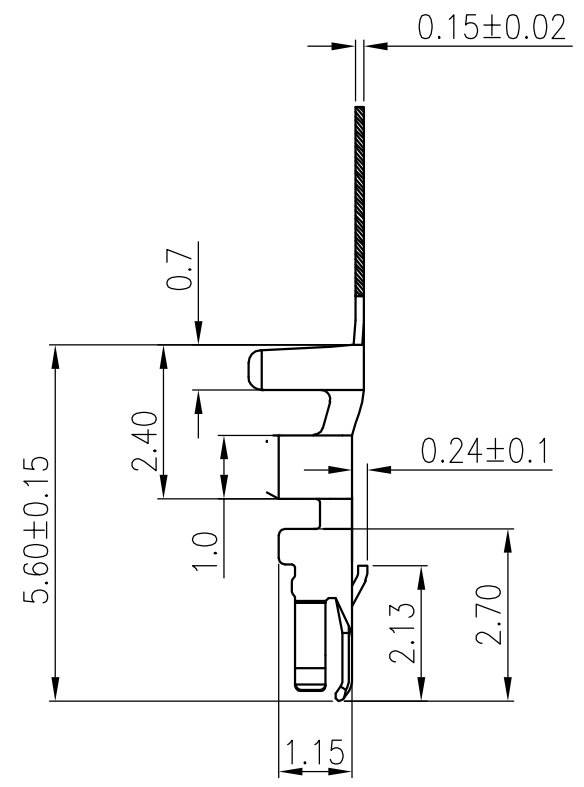
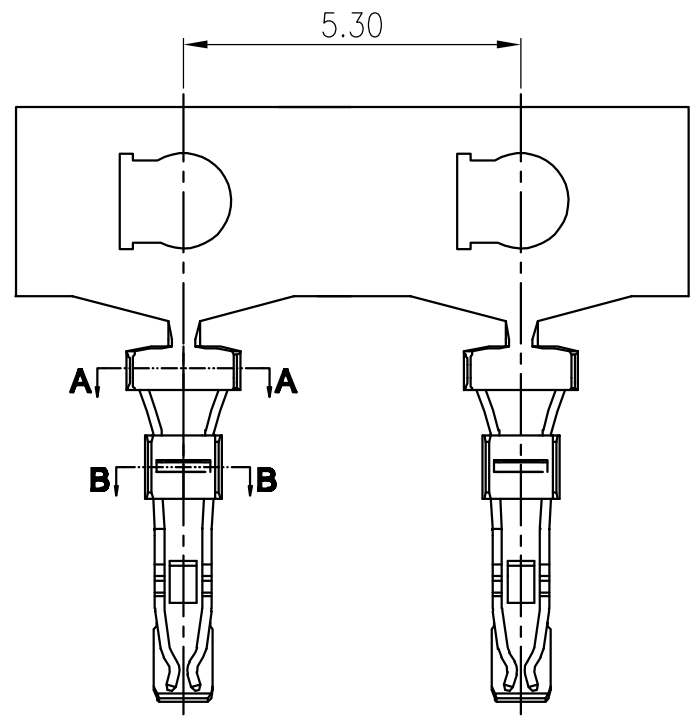
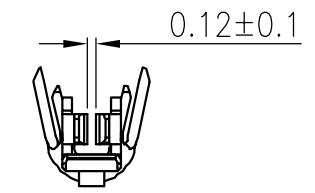


REV	DESIGN	DATE
A0	-	-
-	-	-



**SECTION: A-A**  
**SCALE: 1:1**

**SECTION: B-B**  
**SCALE: 1:1**



**主要技术参数 Main Specifications**

- 接触电阻 (Contact resistance):  $\leq 20m\Omega$
- 绝缘电阻 (Insulation resistance):  $\geq 1000M\Omega$
- 额定电压 (Rated voltage): 150V AC DC
- 额定电流 (Rated current): 3.0A AC DC
- 耐电压 (Withstand Voltage): 500V AC/minute
- 温度范围 (Temperature Range):  $-25^{\circ}C \sim +85^{\circ}C$

**Ordering Information & Specification:**

Part No	Wire Range	Insulation O.D.	Material	Finish	Qty/Reel
A1503T-02端子	AWG #24~#28	1.10mm (MAX)	Phosphor bronze	GOLD-FLASH	/

<b>JKUN 温州健坤接插件有限公司</b> WENZHOU JKUN CONNECTOR CO.,LTD.			TITLE: -	
X.±0.5	X.±5'	USE: CUSTOMER	PART NO.:	
.X±0.3	.X±2'		A1503T-02端子	
.XX±0.25	.XX±1'	APPD: 邵敬和	DWG NO.:	
--	--	CHKD: 田峰	JKUN-GCDZ-0084	
UNITS: mm		DR: 蒋建银	SCALE 1 : 1	SHEET 1 / 1

A | B | C | D | E | F