

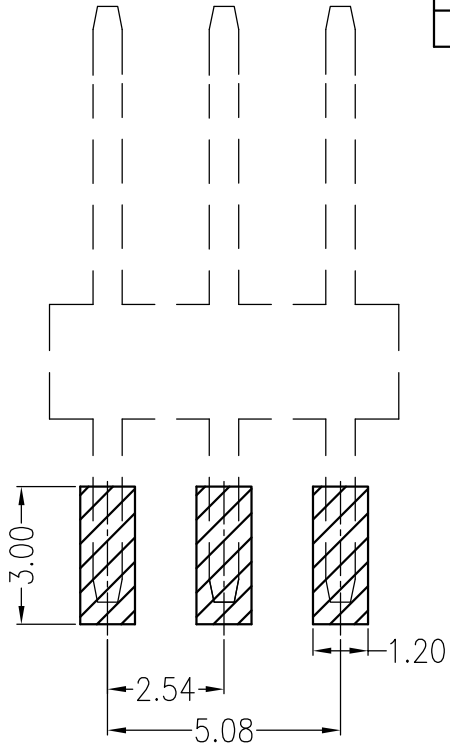
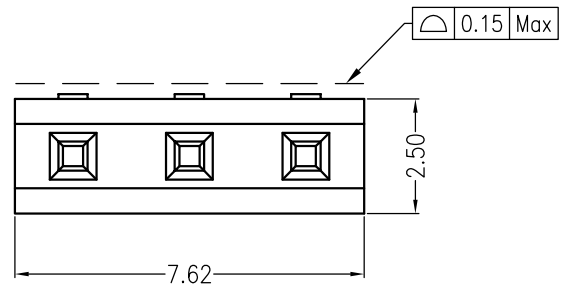
A B C D

E F

REV	ECN No.	DESCRIPTION	DESIGN	DATE
A0		Release	蒋建银	2018.11.14

1
2
3
4
5

1
2
3
4
5

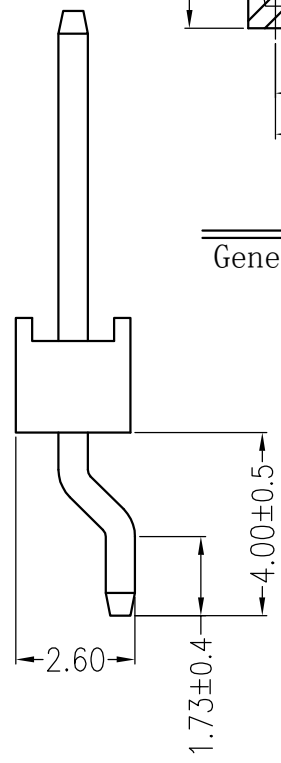
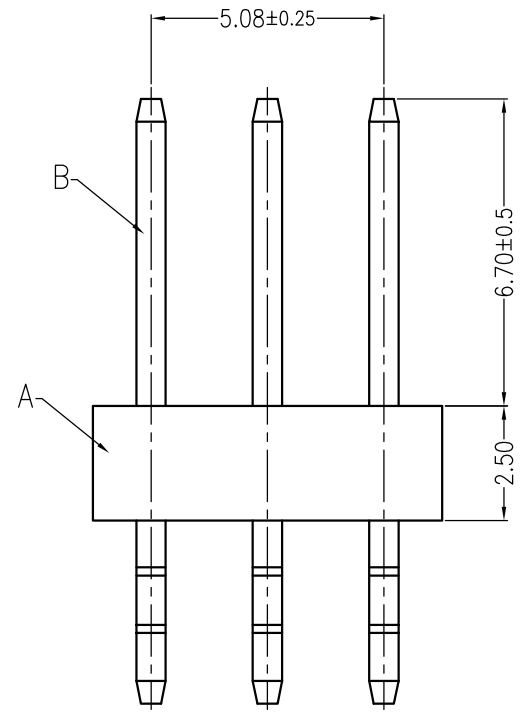
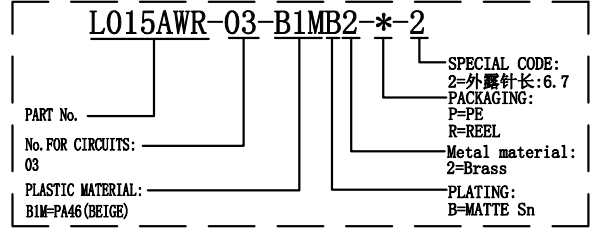


Board Layout
General Tolerance: ± 0.05

主要技术参数 Main Specifications

线 数 (Poles): 02 to 04
 接触电阻 (Contact resistance): $\leq 20m\Omega$
 绝缘电阻 (Insulation resistance): $\geq 1000M\Omega$
 额定电压 (Rated voltage): 125V AC DC
 额定电流 (Rated current): 1.0A AC DC
 耐电压 (Withstand Voltage): 1000V AC/minute
 温度范围 (Temperature Range): $-25^{\circ}C \sim +105^{\circ}C$

ORDER INFORMATION:



ITEM	COMPONENT	Q'TY	MATERIAL	FINISH
C				
B	CONTACT	3 PCS	Brass	MATTE Sn-plated
A	PEDESTAL	1 PCS	PA46	UL 94V-0, COLOR:BEIGE

JKUN 温州健坤接插件有限公司
WENZHOU JKUN CONNECTOR CO., LTD.

TITLE: -		2.54mmPITCH 90°WAFER SMT TYPE	
X.±0.5	X.±5'	USE: CUSTOMER	PART NO.: L015AWR-03-B1MB2-*-2
.X±0.3	.X±2'	APPD: 邵敬和	DWG NO.: JKUN-GCCP-1259
.XX±0.25	.XX±1'	CHKD: 田峰	SCALE: 1 : 1
--	--	DR: 蒋建银	SHEET: 1 / 1

A B C D E F